
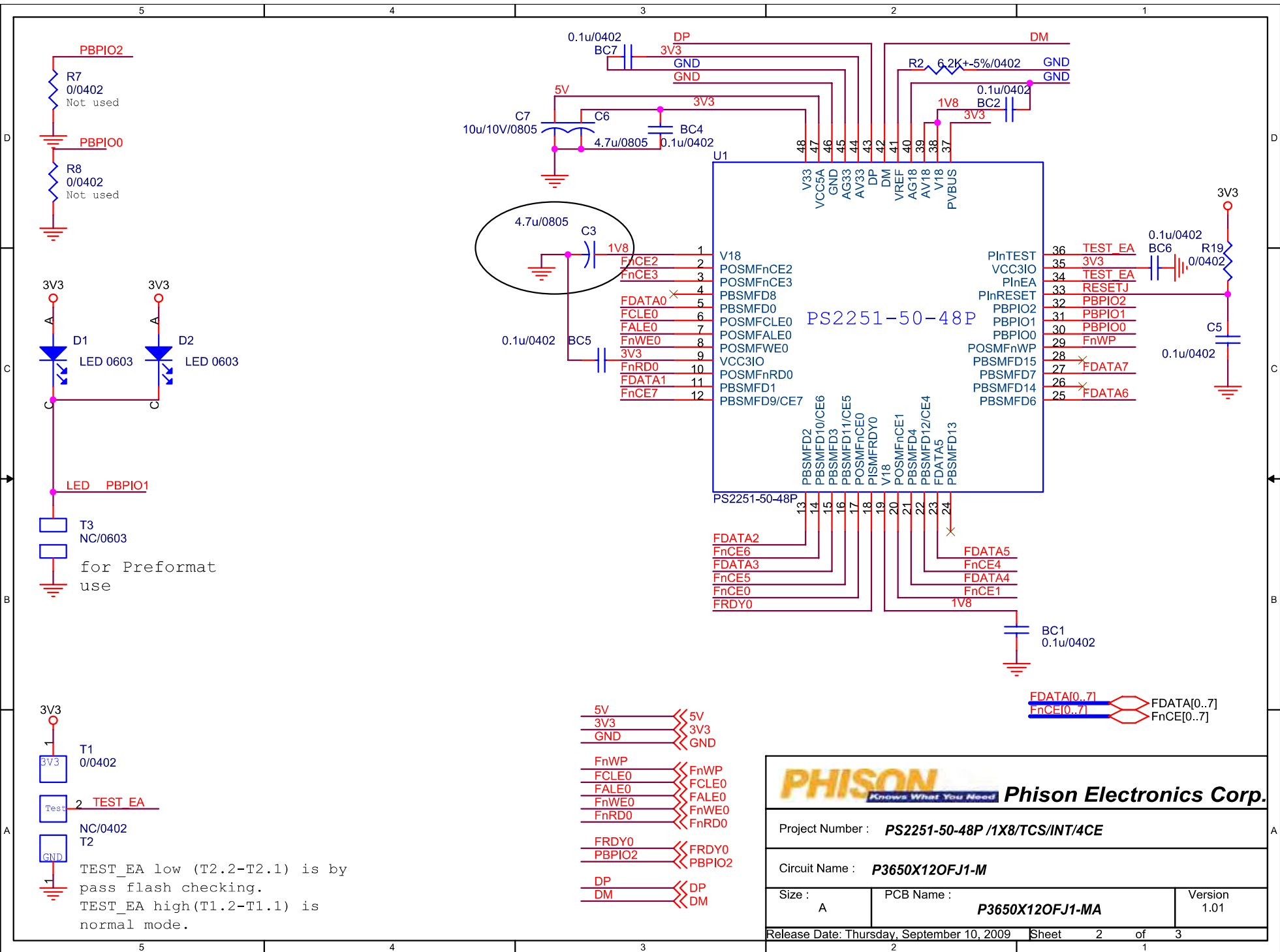


Page	Title
1	COVER SHEET
2	ASIC_PS2251-50-48P
3	NAND FLASH & USB
4	
5	
6	
7	
8	
9	
10	

REVISION	TOTAL PAGES	MODIFIED PAGES	ERRATA NO	DATE
1.01	3	ASIC_PS2251-50-48P	PCB P3650X12BFJ2-MA Change PCB P3650X12OFJ1-MA C3 2.2/0603 Change C3 4.7u/0805	2009/09/10

 Phison Electronics Corp.		
Project Number : PS2251-50-48P /1X8/TCS/INT/4CE		
Circuit Name : P3650X12OFJ1-M		
Size : A	PCB Name : P3650X12OFJ1-MA	Version 1.01
Release Date: Thursday, September 10, 2009		Sheet 1 of 3



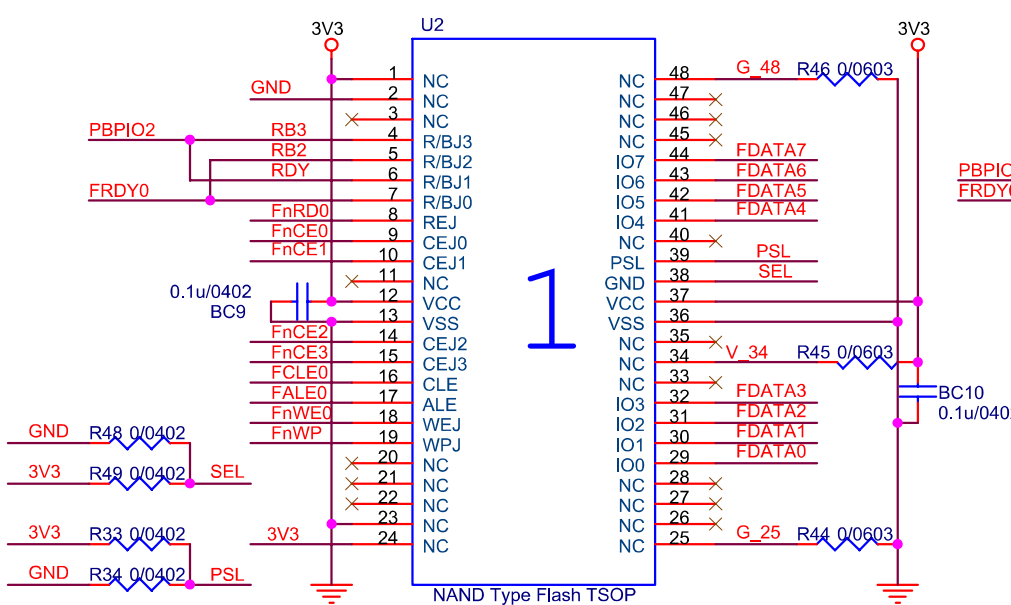
PHISON *Knows What You Need* **Phison Electronics Corp.**

Project Number : **PS2251-50-48P /1X8/TCS/INT/4CE**

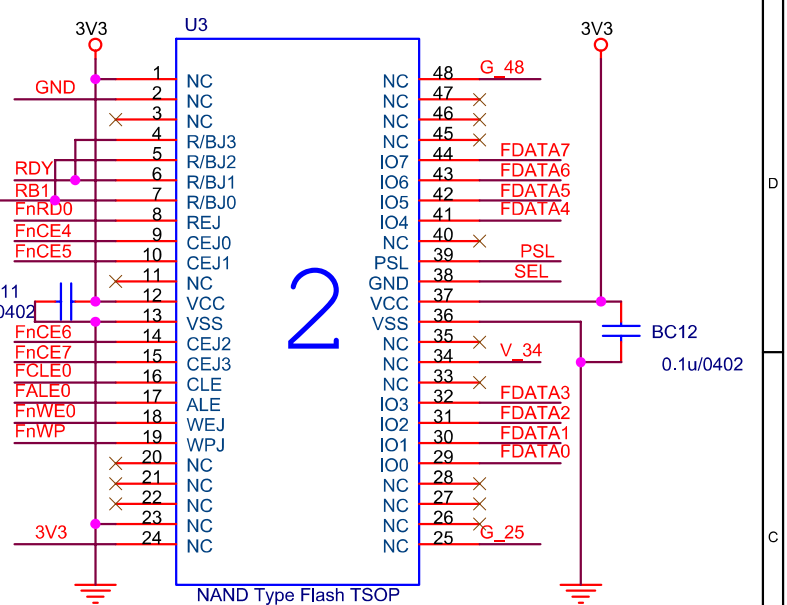
Circuit Name : **P3650X120FJ1-M**

Size : A	PCB Name : P3650X120FJ1-MA	Version 1.01
-------------	--------------------------------------	-----------------

Release Date: Thursday, September 10, 2009 | Sheet 2 of 3

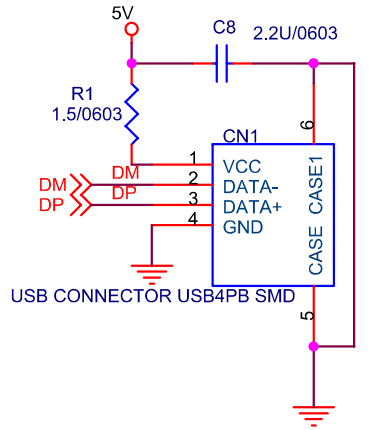
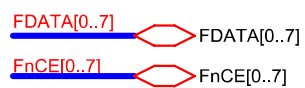
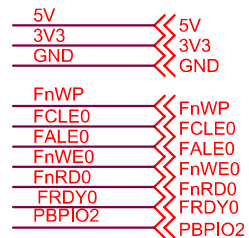


1



2

Ready/Busy Jump Table		
	R27	R28
Interleave One chip select*2EA	Use	
Interleave Two chip select*2EA		Use
Interleave Four chip select*2EA		Use



PHISON Knows What You Need **Phison Electronics Corp.**

Project Number : **PS2251-50-48P /1X8/TCS/INT/4CE**

Circuit Name : **P3650X120FJ1-M**

Size : A	PCB Name : P3650X120FJ1-MA	Version 1.01
-------------	--------------------------------------	-----------------

Release Date: Thursday, September 10, 2009 | Sheet 3 of 3